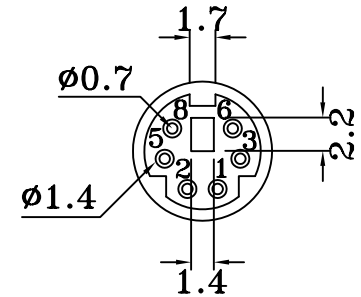
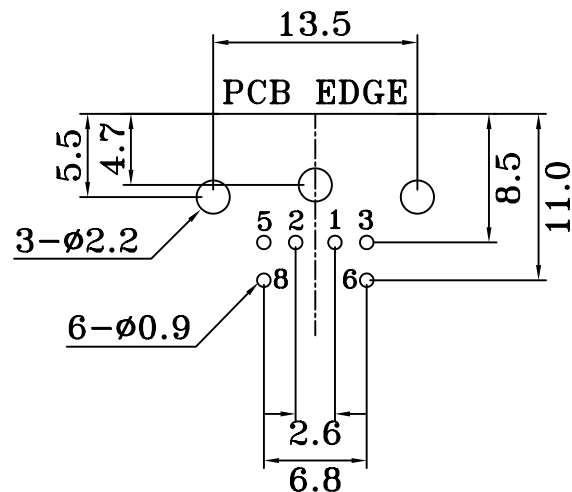
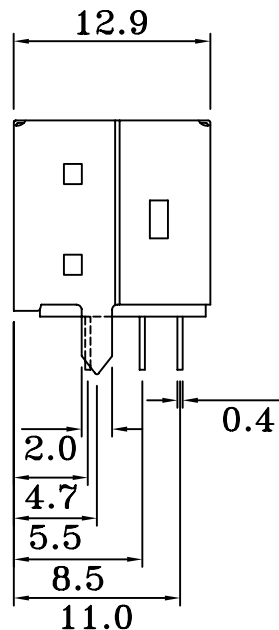
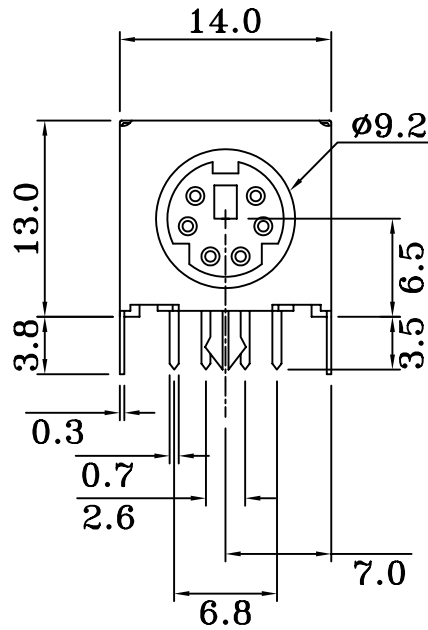
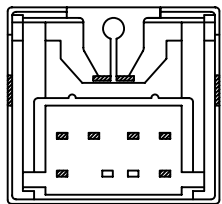


REV	ZONE	REVISION	DATE



PCB LAYOUT
(BOTTOM VIEW)

RoHS COMPLIANT



NO.	NAME	MATERIAL	FINISH	Q'TY	REMARK
1	HOUSING	P.B.T.	GREEN,3395C	1	
2	CONTACT	PHOS. BRONZE	GOLD-TIN PLATED	6	Gold:1~3u"; NI:40~60u" ; TIN:120u" (100% pure Tin of lead free plating)
3	SHIELD	COPPER ALLOY	TIN PLATED	1	TIN:3~5u
4	BACK COVER	P.B.T.	GREEN,3395C	1	



GTK UK LTD.

COMPUTER NO.			UNIT	SCALE	PART NAME	
D:\DWG\MDJ6DM-GN99-R			mm	2:1	MINI DIN JACK	
APPD.	CKD.	DWG.	DATE	TOLERANCE	PART NO.	REV.
		TINA	13-04-05	±0.3		A