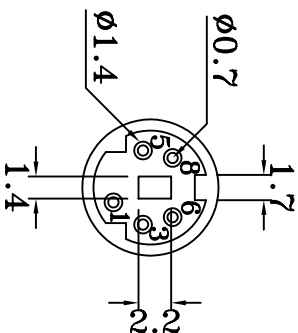
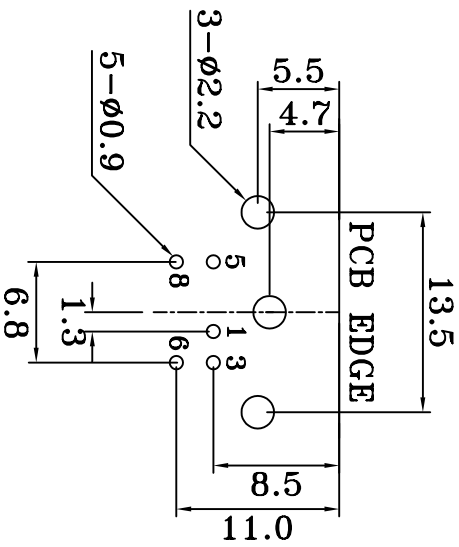
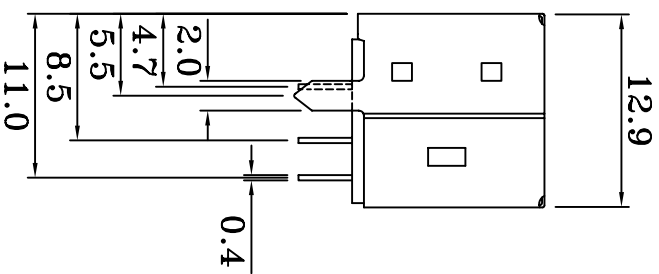
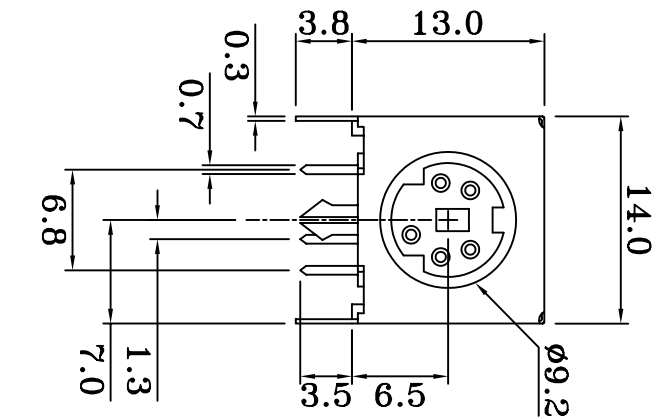
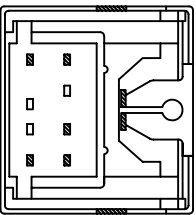


REV. NO.	REVISION	DATE



PCB LAYOUT
(BOTTOM VIEW)

ROHS COMPLIANT



NO.	NAME	MATERIAL	FINISH	Q'TY	REMARK
1	HOUSING	P.B.T.	BLACK	1	
2	CONTACT	PHOS. BRONZE	GOLD-TIN PLATED	5	Gold:1~3.0 μ m ; Ni:40~60 μ m ; TIN:120.0 μ m (100% pure Tin of lead free plating)
3	SHIELD	COPPER ALLOY	TIN PLATED	1	TIN:3~5 μ m
4	BACK COVER	P.B.T.	BLACK	1	



GTK UK LTD.

COMPUTER NO.

UNIT

SCALE

PART NAME

D:\DWG\MDJ5DM-R

mm

2:1

MINI DIN JACK

APPD.

CKD.

DWG.

DATE

TOLERANCE

PART NO.

REV.

MODEL

MDJ5DM-R

PAGE 1 OF 1

4

TINA

4-11-00

±0.3

PART NO.

A